

Grandstream Networks, Inc.

126 Brookline Ave, 3rd Floor
Boston, MA 02215 USA
Voice: (617) 566-9300
Fax: (617) 249-1987

www.grandstream.com



For Certification, Warranty and RMA information,
please visit www.grandstream.com



GU3100

1080P Webcam

Quick Installation Guide

PRECAUTIONS:

- Do not attempt to open, disassemble, or modify the device.
- Do not expose the device to temperatures outside the range 0°C to 55°C (32°F to 131°F) in operation and -10°C to 60°C (14°F to 140°F) in storage.
- Do not expose the GUV3100 camera at environments outside of the humidity range of 10-90% RH (non-condensing).
- Avoid heavy pressure, severe vibration, soaking damage to the product in transportation, storage and installation.
- The camera body is made of organic material, please do keep way from corrosive liquid, gas or solid material.
- When cleaning the camera lens, wipe with a soft and dry cloth. If with too much dust, wipe gently with a mild detergent. Do not use strong or corrosive detergent, so as not to scratch the lens, affecting the image effect.

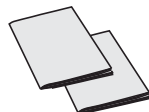
OVERVIEW:

Grandstream GUV3100 1080P Webcam features perfect functions and excellent performance. Adopts advanced ISP processing algorithms to provide vivid images with evenly clear brightness, strong color layering, high resolution, and fantastic color rendition. Easy and convenient to install and maintain, stable and reliable.

PACKAGE CONTENTS:



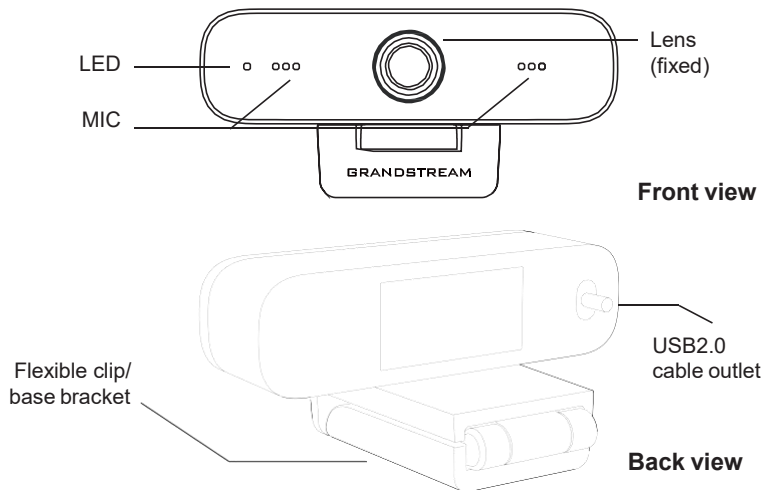
1x GUV3100



1x Quick Installation Guide
1x GPL License

~ 1 ~

GUV3100 DESCRIPTION:

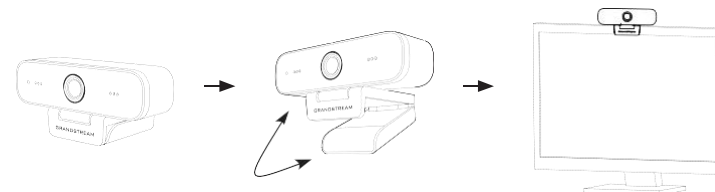


INSTALLING THE GUV3100:

On TV screen/laptop:

The GUV3100 can be installed on TV screen/top of laptop using its Built-in bracket by following the steps below :

1. Open the rotating bracket under the main unit, as shown in the following figure.
2. Fasten the main unit to the top border of the TV/top of laptop.
3. According to the thickness of the display, adjust the rotating bracket to the most suitable angle to ensure that the top of the bracket is level.



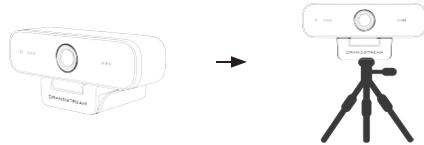
~ 2 ~

On desk/tripod:

The GUV3100 can be installed on desk/tripod directly using its Built-in bracket by following the steps below :

1. Keep the rotating bracket under the main unit closed, as shown in the following figure.
2. Position the unit on desk or screw the camera onto the tripod using the threaded hole in the bottom of the GUV3100 bracket.

Note: Tripod is not provided in the package.



CONNECTING AND USING THE GUV3100:

After installing the GUV3100:

1. Connect the USB cable with computer, video conference devices or other USB input device.
2. Open the video software and select the video device to get video output.

Refer to online documents and FAQ for more detailed information:

<http://www.grandstream.com/our-products>

U.S. FCC Part 15 Regulatory Information

This device complies with part 15 of the FCC Rules. Operation is subject to the following two conditions: (1) this device may not cause harmful interference, and (2) this device must accept any interference received, including interference that may cause undesired operation.

Any Changes or modifications not expressly approved by the party responsible for compliance could void the user's authority to operate the equipment.

Note: This equipment has been tested and found to comply with the limits for a Class B digital device, pursuant to part 15 of the FCC Rules. These limits are designed to provide reasonable protection against harmful interference in a residential installation. This equipment generates, uses and can radiate radio frequency energy and, if not installed and used in accordance with the instructions, may cause harmful interference to radio communications. However, there is no guarantee that interference will not occur in a particular installation. If this equipment does cause harmful interference to radio or television reception, which can be determined by turning the equipment off and on, the user is encouraged to try to correct the interference by one or more of the following measures:

- Reorient or relocate the receiving antenna.
- Increase the separation between the equipment and receiver.
- Connect the equipment into an outlet on a circuit different from that to which the receiver is connected.
- Consult the dealer or an experienced radio/TV technician for help.

Canada Regulatory Information

CAN ICES-3 (B)/NMB-3(B)

Grandstream Networks, Inc.

126 Brookline Ave, 3rd Floor
Boston, MA 02215 USA

电话: (617) 566-9300

传真: (617) 249-1987

www.grandstream.com



相关认证, 保修和 RMA 的信息, 请访问
www.grandstream.com



GU3100

1080P 网络摄像头

快速安装手册

预防措施:

- 请勿尝试打开, 拆卸或改装设备。
- 请勿将工作中的设备暴露在 0°C 至 55°C (32°F 至 131°F) 范围内的温度下, 存储时应置于 -10°C 至 60°C (14°F 至 140°F) 的温度范围内。
- 请勿将 GUV3100 摄像头暴露在湿度范围为 10-90%RH (非冷凝) 的环境之外。
- 避免在运输, 存储和安装过程中对产品造成沉重的压力, 剧烈的振动和浸泡。
- 摄像头机身由有机材料制成, 请远离腐蚀性液体, 气体或固体材料。
- 清洁摄像头镜头时, 请用柔软的干布擦拭。如果灰尘过多, 请用中性清洁剂轻轻擦拭。请勿使用强力或腐蚀性的洗涤剂, 以免划伤镜片, 从而影响图像效果。

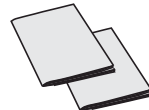
概览:

Grandstream GUV3100 1080P 网络摄像头具有完善的功能和出色的性能。采用先进的 ISP 处理算法, 可提供均匀, 明亮、, 高分辨率和出色色彩的生动图像。安装维护简单方便, 稳定可靠。

包装内容:



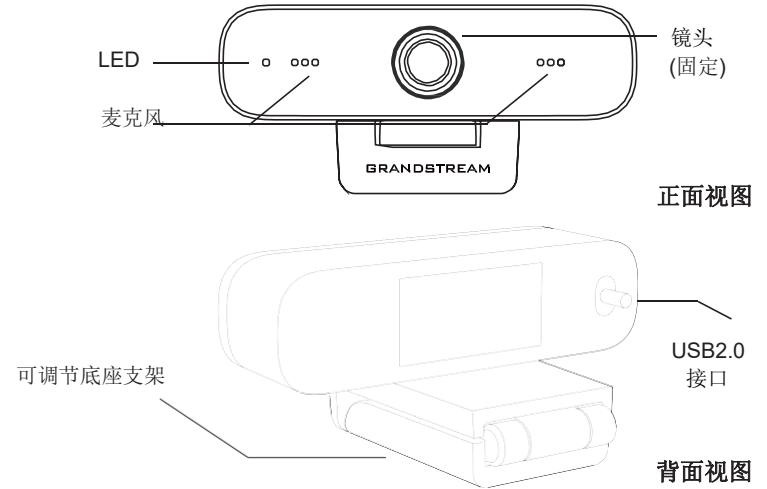
1x GUV3100



1x 快速安装
1x GPL 证书

~ 1 ~

GUV3100 描述:

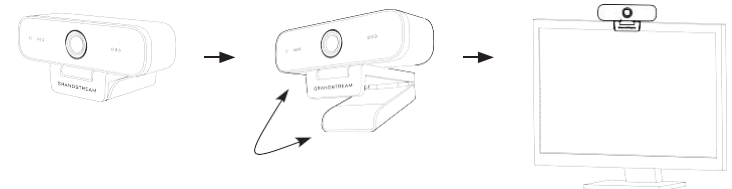


安装 GUV3100:

电视屏幕或笔记本电脑上:

请按照以下步骤使用内置支架将 GUV3100 安装在电视屏幕/笔记本电脑的顶部:

1. 打开主机下方的旋转支架, 如下图所示。
2. 将主机固定在电视机/笔记本电脑的顶部边框上。
3. 根据显示屏的厚度, 将旋转支架调整到合适的角度, 以确保支架的顶部水平。



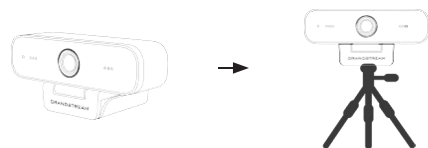
~ 2 ~

桌面/三脚架:

请按照以下步骤使用内置支架将 GUV3100 直接安装在办公桌/三脚架上:

1. 保持主机下方的旋转支架闭合, 如下图所示。
2. 将本机放置在桌上或使用 GUV3100 支架底部的螺纹孔将相机固定在三脚架上。

注意: 包装中不提供三脚架。



连接使用 GUV3100:

在安装完 GUV3100 后:

1. 将 USB 电缆与计算机, 视频会议设备或其他 USB 输入设备连接。
2. 打开视频软件, 选择视频设备以获取视频输出。

有关更多详细信息, 请参阅在线文档和常见问题解答:

<http://www.grandstream.com/our-products>

美国 FCC 第 15 部分法规信息

本设备符合 FCC 规则的第 15 部分, 操作必须符合以下两个条件: (1) 此设备不会造成有害干扰。(2) 本设备必须能接受任何干扰, 包括可能导致意外操作的干扰。

未经履约方的明确许可而进行的任何更改或修改可能会导致用户失去设备操作权限。

注意: 本设备经测试证明符合 FCC 规则第 15 部分中关于 B 类数字设备的限制。这些限制旨在合理保护用户在住宅安装时免受有害干扰。本设备会产生、使用并辐射射频能量, 如果未按照说明进行安装和使用, 可能会对无线电通信造成有害干扰。然而, 不能保证在某些特定安装下不会发生干扰, 如果此设备确实对无线电或电台接收造成有害干扰 (可以通过打开和关闭设备来确定), 建议用户尝试以下一种或多种措施来纠正干扰:

- 调整接收天线的方向和位置。
- 增加设备和接收器之间的距离。
- 将设备连接到与接收器不同电路的插座上。
- 向经销商或有经验的通信技术人员咨询以获得帮助。

加拿大法规信息

CAN ICES-3 (B)/NMB-3(B)